

Section C
Turret

Helpful Hints:

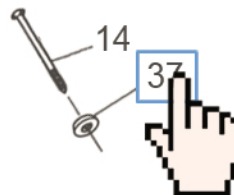
- Click on **bookmarks** to find your assembly!



- Click on **part numbers** to order! 12-307601-000
12-250101-000
12-114631-000



- Click on **parts** to order!



Index

No.	Part No.	Description
1.	12-150138-000	Turret Delay Gear & Cam
	11-421035-000	Flanged Oilite Bearing
2.	12-400219-000	Idler Pulley Assembly
3.	12-150011-000	Latch Assembly
	11-421065-000	Flanged Oilite Bearing
4.	12-150064-000	Trip Lever Assembly, See Note
5.	12-150120-000	Stud
6.	12-862171-000	Ball Bearing
7.	12-150065-000	Link
8.	12-150051-000	Turret Indexing Bell Crank Assembly
9.	12-150072-000	Shoulder Screw
10.	12-150057-003	Strap, standard
	12-860808-000	Heavy Duty Pin Gate Strap
11.	12-150227-000	Linkage Assembly
12.	11-420048-000	Bearing (.1885 I.D. X .3145 O.D.)
13.	12-150056-003	Roller Stud
14.	11-500001-000	Ball Bearing
15.	11-007090-001	Flat Head Socket Cap Screw (10-24 x 5/8")
	11-015163-001	Hex Head Socket Cap Screw w/ External Tooth Lockwasher
16.	12-150013-000	Turret Stop Lever Assembly
17.	90-150303-000	Delrin Turret Stop Roller
18.	12-150056-002	Roller Stud
19.	11-198508-001	Countersunk Lockwasher (#10)
20.	12-150198-000	Clutch & Mount
21.	11-125204-001	Hex Jam Nut (3/8-16)
22.	12-150168-000	Stop Washer Assembly
23.	12-150063-000	Spring Seat Assembly
24.	12-150087-000	Compression Spring
25.	12-150062-000	Stud
26.	N.A.	Bearing
27.	11-421047-000	Bearing (.753 I.D. X .876 O.D.)
28.	11-125004-001	Hex Nut (#10-24)
29.	11-190014-001	Flat Washer (3/8)
30.	12-150158-012	X-Washer Pin
31.	11-001062-001	Hex Head Cap Screw (10-24 x 3/4")
32.	11-170106-001	Hex Nut Flexlock (1/4-20)
33.	12-150190-000	Sleeve Oilite Bearing
34.	11-110130-001	Hex Head Cap Screw (1/4-20 x 3/4")
35.	12-150157-003	Washer
36.	11-190006-001	Flat Washer - SAE (#10)
37.	11-195010-001	Lockwasher (#10)
38.	11-230000-001	X-Washer (3/32)
39.	11-190010-001	Flat Washer (1/4)
40.	11-195014-001	Lockwasher (1/4)
41.	11-125100-001	Hex Nut (1/4-20)
42.	12-150186-000	Spacer
43.	11-005196-001	Socket Head Cap Screw (1/4-20 x 3")
44.	11-195015-001	Lockwasher (5/16)
45.	12-150191-000	Internal Wrenching Nut
46.	12-150158-013	X-Washer Pin
47.	12-150166-000	Pin
48.	11-421048-000	Flanged Oilite Bearing

N.A. = No Longer Available

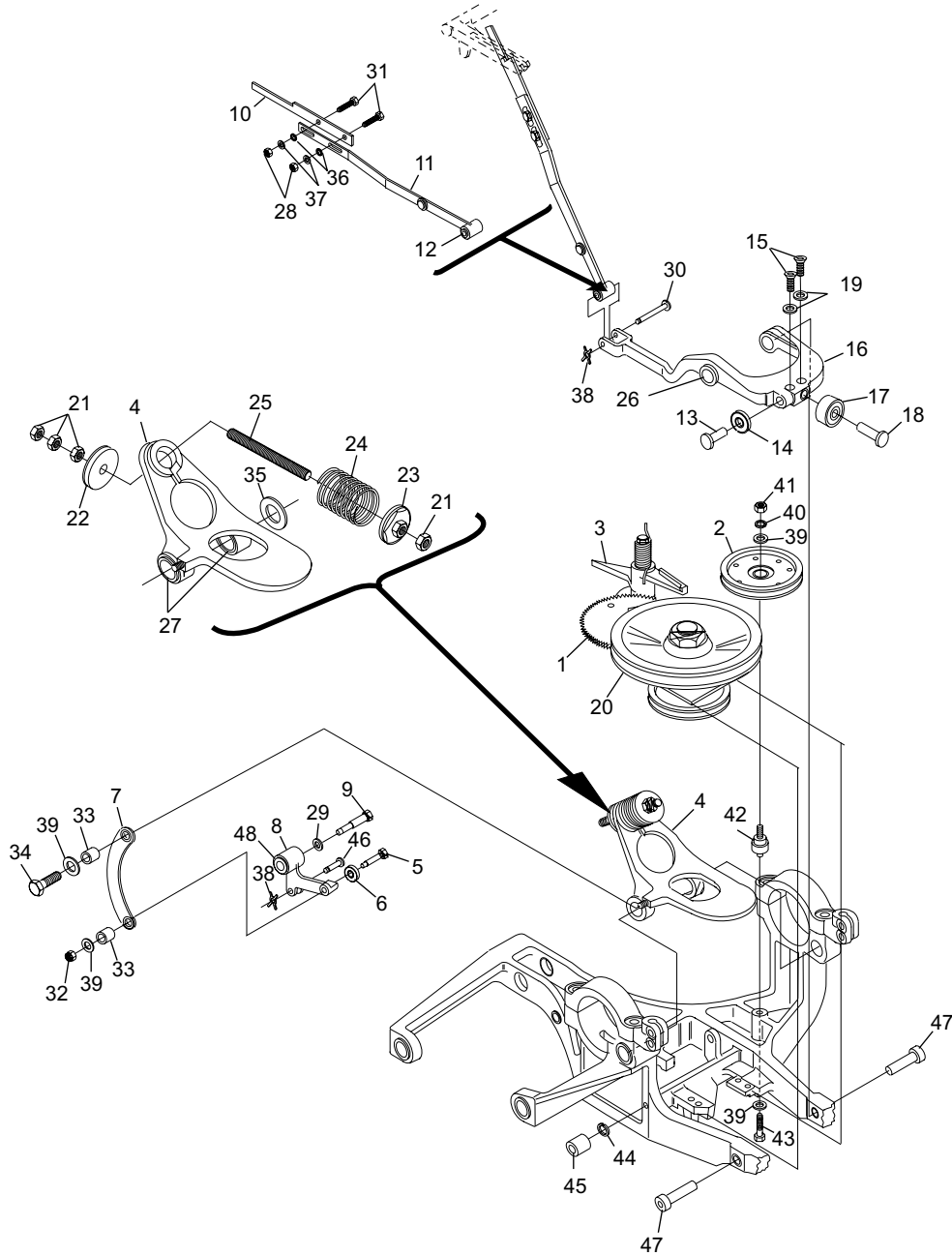
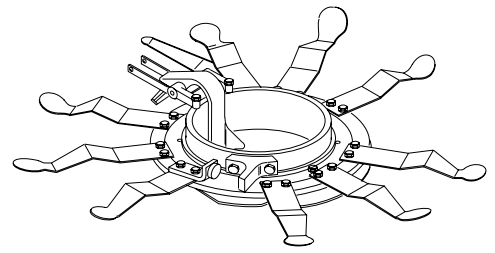
NOTE: Trip Lever Assembly, includes:

12-150062-000 Stud, not shown
12-150087-000 Compression Spring
12-150168-000 Stop Washer Assembly
11-421047-000 Bearing
12-150063-000 Spring Seat

See Page
Down for
Drawing



Turret Clutch and Pulley Assembly (Old Style)



See Page
Above
for Index



**Turret Clutch and Pulley Assembly
(Old Style)**

Index No.	Part No.	Description
1.	N.A.	Cast Turret Indexing Pulley
2.	12-150070-000	Tension Spring
3.	12-150183-000	Grease Fitting
4.	11-480001-000	Cam Follow Needle Bearing
5.	11-125101-001	Hex Nut (1/4-28)
6.	12-150130-002	Wheel
7.	11-345408-001	Roll Pin (1/4 x 3/4")
8.	12-150214-000	Turret Release Lever Assembly
9.	11-421008-000	Flanged Oilite Bearing
10.	12-150281-000	Pivot Pin
11.	11-001260-001	Hex Head Cap Screw (5/16-18 x 5/8")
12.	11-002006-001	Hex Head Cap Screw (1/4-20 x 1-1/2")
13.	12-150117-000	Halo Ring Assembly
14.	N.A.	Frame Cap (See Note)
15.	11-005357-001	Hex Head Socket Cap Screw (3/8-16 x 3-1/4")
16.	11-195016-001	Lockwasher (3/8)
17.	12-150228-000	Turret Frame Assembly
18.	11-421049-000	Bearing (.753 I.D. x .878 O.D.)
19.	11-421009-000	Bearing (.3765 I.D. X .502 O.D.)
20.	11-420006-000	Bearing (.3765 I.D. X .503 O.D.)
21.	12-200047-003	Spacer
22.	11-195015-001	Lockwasher (5/16)
23.	11-125100-001	Hex Nut (1/4-20)
24.	11-195014-001	Lockwasher (1/4)
25.	11-195010-001	Lockwasher (#10)
26.	11-230003-001	"X" Washer (3/16)
27.	11-005354-001	Hex Head Socket Cap Screw (3/8-16 x 2-1/2")
28.	11-190014-001	Flat Washer (3/8)
29.	11-125104-001	Hex Nut (3/8-16)
30.	11-006088-001	Button Head Socket Cap Screw (10-24 x 1/2")

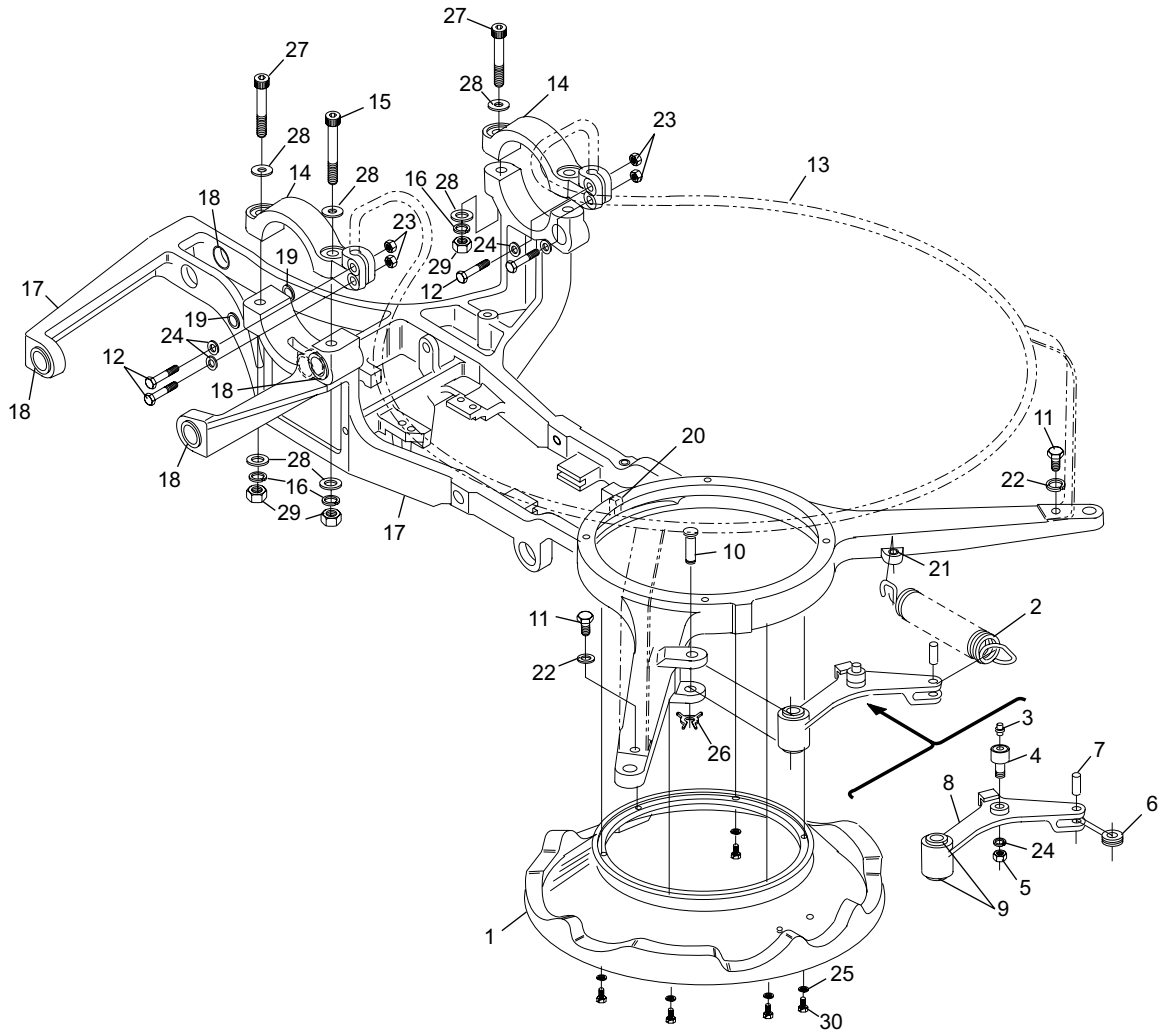
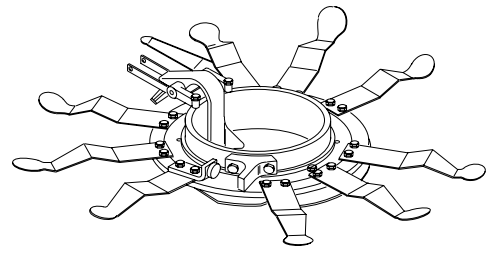
N.A. = No Longer Available

NOTE: Replace old cap with 12-150229-000 and 2 each 11-005359-000 cap screws.

See Page
Down for
Drawing



Turret Index Pulley Assembly



See Page
Above
for Index



Turret Index Pulley Assembly

Index

No.	Part No.	Description
1.	12-150228-000	Turret Frame Assembly
2.	12-150229-000	Cap
3.	11-005356-001	Hex Head Socket Cap Screw (3/8-16 x 3")
4.	11-005360-001	Hex Head Socket Cap Screw (3/8-16 x 4")
5.	11-005354-001	Hex Head Socket Cap Screw (3/8-16 x 2-1/2")
6.	11-125104-001	Hex Nut (3/8-16)
7.	11-195016-001	Lockwasher (3/8)
8.	12-150289-000	Link
9.	12-150158-007	X-Washer Pin (1-3/32 X .186)
10.	12-150214-000	Turret Release Lever Assembly
11.	11-480001-000	Cam Follow Needle Bearing
12.	12-150070-000	Tension Spring
13.	11-345408-001	Roll Pin (1/4 x 3/4")
14.	11-190014-001	Flat Washer (3/8)
15.	11-420043-000	Sleeve Oilite Bearing
16.	11-421039-000	Bearing (.3135 I.D. X .440 O.D.)
17.	12-150113-000	Belt
18.	12-150059-000	Plate
19.	11-500001-000	Ball Bearing
20.	11-005178-001	Hex Head Socket Cap Screw (1/4-20 x 1/2")
21.	12-150187-000	Bottom Protector
22.	11-190006-001	Flat Washer - SAE (#10)
23.	11-195010-001	Lockwasher (#10)
24.	11-125004-001	Hex Nut (#10-24)
25.	11-007094-000	Flat Head Socket Cap Screw (10-24 x 1")
26.	N.A.	Pin Guide Block, pin necessary to stay
27.	11-230002-001	"X" Washer (5/32)
28.	12-150158-004	X-Washer Pin
29.	12-150279-000	Lever Assembly
30.	12-150158-006	X-Washer Pin
31.	11-230000-001	X-Washer (3/32)
32.	11-195014-001	Lockwasher (1/4)
33.	11-125106-001	Hex Nut (7/16-14)
34.	11-125206-001	Hex Jam Nut (7/16-14)
35.	12-150085-000	Support Rod
36.	12-150235-000	Turret Index Latch Assembly, See Note
37.	12-150157-004	Washer
38.	11-530514-000	Internal Retaining Ring (1.282 I.D.)
39.	11-005086-001	Hex Head Socket Cap Screw (10-24 x 3/8")
40.	12-150259-000	Shaft, See Note

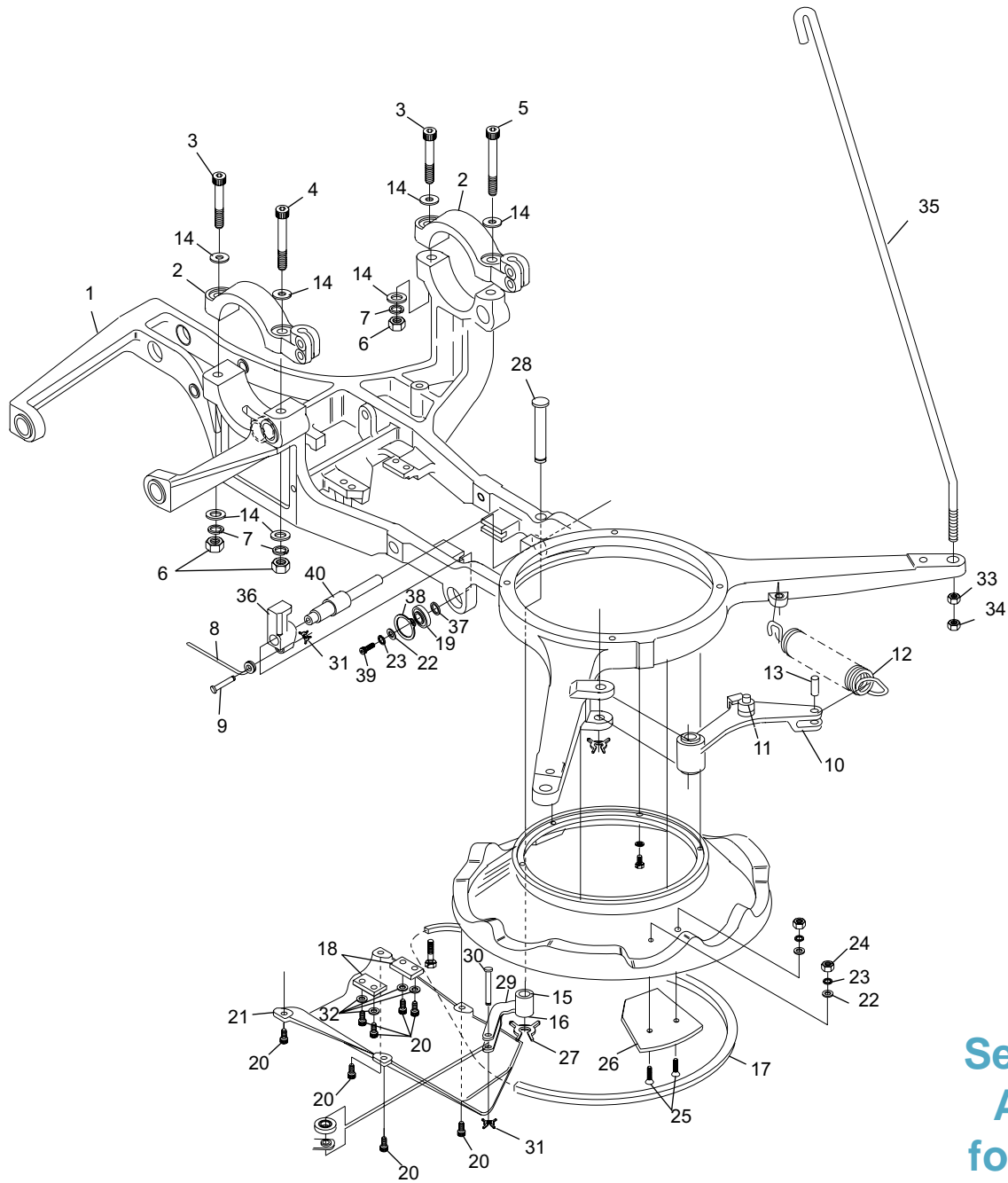
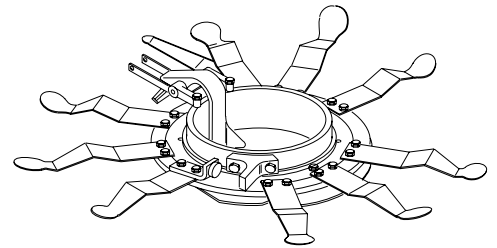
N.A. = No Longer Available

*NOTE: 12-150277-000 Shaft and Latch Assembly includes:
 11-420032-000 Bearing (.3765 I.D. X .503 O.D.)
 12-150249-000 Shaft
 12-150235-000 Latch Assembly
 10-381244-000 Spacer*

See Page
Down for
Drawing



Turret Assembly



See Page
Above
for Index



Turret Assembly

Index

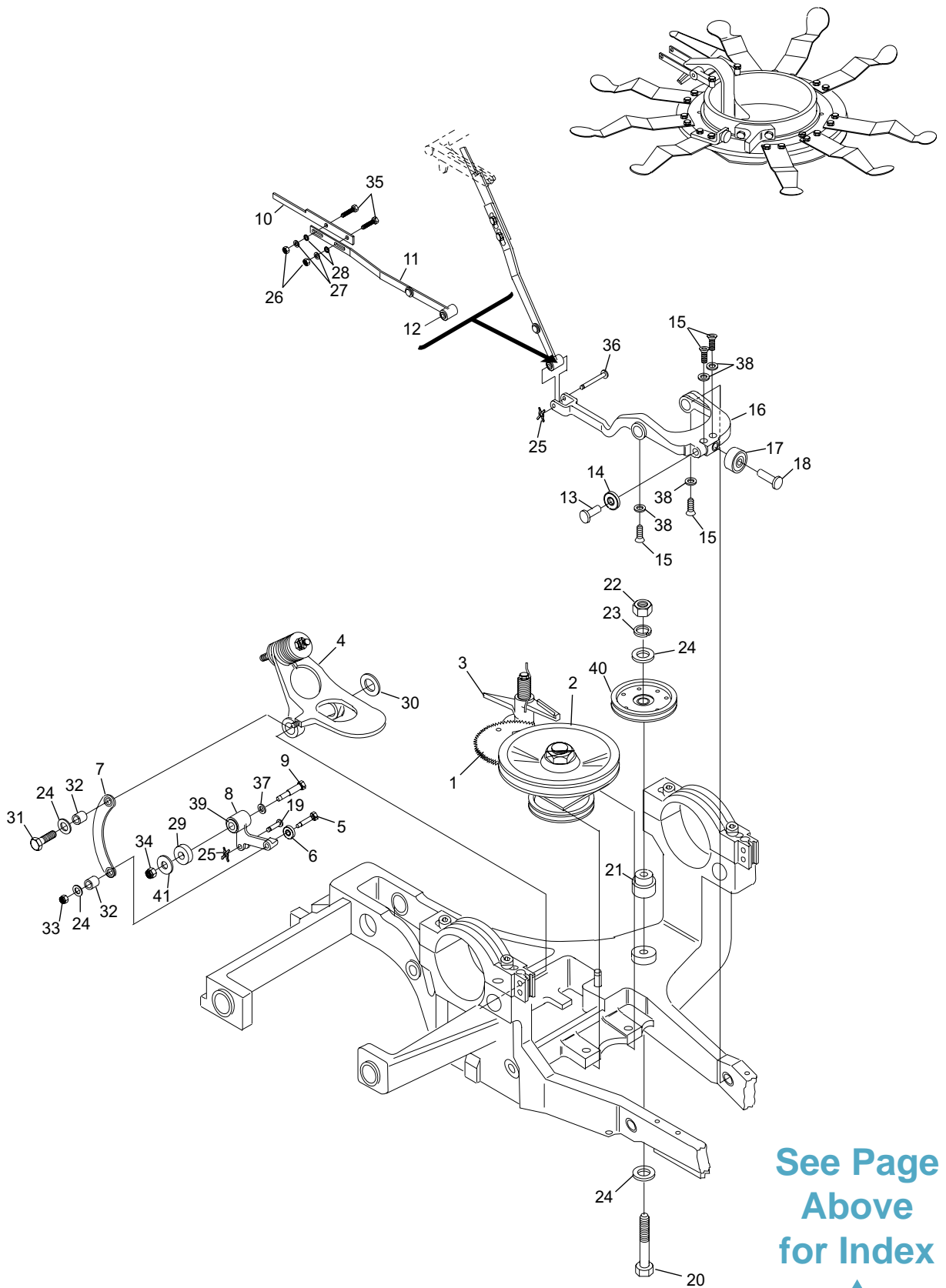
No.	Part No.	Description
1.	12-150138-000	Turret Delay Gear
	11-421035-000	Flanged Oilite Bearing
2.	12-150198-000	Clutch & Mount Assembly, Early Version - See Note
3.	12-150011-000	Latch Assembly
	11-421065-000	Flanged Oilite Bearing
4.	12-150064-000	Trip Lever Assembly
	12-150062-000	Stud
	12-150087-000	Compression Spring
	12-150168-000	Stop Washer Assembly
	11-421047-000	Bearing (.753 I.D. X .876 O.D.)
	12-150063-000	Spring Seat Assembly
5.	12-150120-000	Stud
6.	12-862171-000	Ball Bearing
7.	12-150065-000	Link
8.	12-150051-000	Turret Indexing Bell Crank Assembly
9.	12-150252-000	Shoulder Screw
10.	12-150057-003	Strap
	12-860808-000	Heavy Duty Pin Gate Strap
11.	12-150227-000	Linkage Assembly
12.	11-420048-000	Bearing (.1885 I.D. X .3145 O.D.)
13.	12-150056-003	Roller Stud
14.	11-500001-000	Ball Bearing
15.	11-007090-001	Flat Head Socket Cap Screw (10-24 x 5/8")
16.	12-150231-000	Turret Stop Lever
17.	90-150303-000	Delrin Turret Stop Roller
18.	12-150056-002	Roller Stud
19.	12-150158-013	X-Washer Pin
20.	11-002008-001	Hex Head Socket Cap Screw (1/4-20 x 2")
21.	12-150186-000	Spacer
22.	11-125100-001	Hex Nut (1/4-20)
23.	11-195014-001	Lockwasher (1/4)
24.	11-190010-001	Flat Washer (1/4)
25.	11-230000-001	X-Washer (3/32)
26.	11-125004-001	Hex Nut (#10-24)
27.	11-195010-001	Lockwasher (#10)
28.	11-190006-001	Flat Washer - SAE (#10)
29.	12-150245-000	Spacer
30.	12-150157-003	Washer
31.	11-110130-001	Hex Head Cap Screw (1/4-20 x 3/4")
32.	12-150190-000	Sleeve Oilite Bearing
33.	11-170106-001	Hex Nut Flexlock (1/4-20)
34.	11-170010-001	Hex Nut Nylock (5/16-24)
35.	11-001062-001	Hex Head Cap Screw (10-24 x 3/4")
36.	12-150158-012	X-Washer Pin
37.	11-190014-001	Flat Washer (3/8)
38.	11-198508-001	Countersunk Lockwasher (#10)
39.	11-421048-000	Flanged Oilite Bearing
40.	12-400219-000	Idler Pulley Assembly
41.	11-190012-001	Flat Washer - SAE (5/16)

NOTE: The Turret Clutch & Mount Assembly 12-150198-000 is for machine S/N 1583 to S/N 12844, please see page 16C for a more detailed drawing. For machines S/N 12844 to 61194, please see page 18C.

See Page
Down for
Drawing



Turret Assembly



See Page
Above
for Index



Turret Assembly

Index

No.	Part No.	Description
1.	12-150143-002	Shaft
2.	12-150176-000	L.H. Blocking Finger
3.	12-150142-002	Bumper
4.	12-150213-000	Restricted Drop Spring
5.	11-421038-000	Flanged Bronze Bearing
6.	11-170104-001	Flexlock Hex Nut (#10-24), for machines prior to 12801
	11-170106-001	Hex Nut Flexlock (1/4-20), for machines serial #12801 and up
7.	12-150209-002	Restricted Drop Spacer
8.	11-001183-001	Hex Head Cap Screw (1/4-20 x 7/8")
9.	12-150298-000	Restricted Drop Link, Lower
10.	12-150210-000	Restricted Drop Link, Upper
11.	11-106525-000	Hex Head Socket Cap Screw (5/16 x 3/8 1/4-20), for serial #12801 and up 12-150195-000 Latch Shoulder Screw, for machines prior to serial #12801 - See Note 3
12.	11-345304-000	Roll Pin (3/16 x 1/2")
13.	11-125100-001	Hex Nut (1/4-20)
14.	12-150158-016	X-Washer Pin, See Note 1
15.	12-150025-000	Tension Spring
16.	11-001190-001	Hex Head Cap Screw (1/4-20 x 1-3/4")
17.	11-190010-001	Flat Washer (1/4)
18.	12-150271-000	Lever & Spring Wheel Assembly
19.	12-150130-005	Spring Wheel
20.	12-150215-000	Spring, for machines prior to 12844
	12-150272-000	Spring A A-2, for machines 12844 and up
21.	11-230001-001	X-Washer (1/8)
22.	12-150130-006	Wheel
23.	12-150157-002	Washer
24.	12-150200-000	R.H. Blocking Finger
25.	12-150012-000	Torsion Spring
26.	12-150011-000	Latch Assembly
27.	12-150254-000	Stud
28.	11-421035-000	Flanged Oilite Bearing
29.	11-360365-001	Spirol Pin (1/8 x 1-1/8")
30.	12-150138-000	Turret Delay Gear
31.	11-230003-001	"X" Washer (3/16)
32.	11-195014-001	Lockwasher (1/4)
33.	11-170010-001	Hex Nut Nylock (5/16-24)
34.	11-421037-000	Bearing (.253 I.D. X .377 O.D.)
35.	11-360466-000	Spirol Pin (3/16 x 1-1/4")
36.	12-150282-000	Roller
37.	12-150209-004	Spacer
38.	11-421065-000	Flanged Oilite Bearing
39.	12-150023-002	X-Washer Pin
40.	11-170007-001	Hex Nut Nylock (1/4-20)
41.	12-150246-000	Bumper (1-1/16")
	12-150246-002	Bumper (1-1/4")

See Page
Down for
Drawing

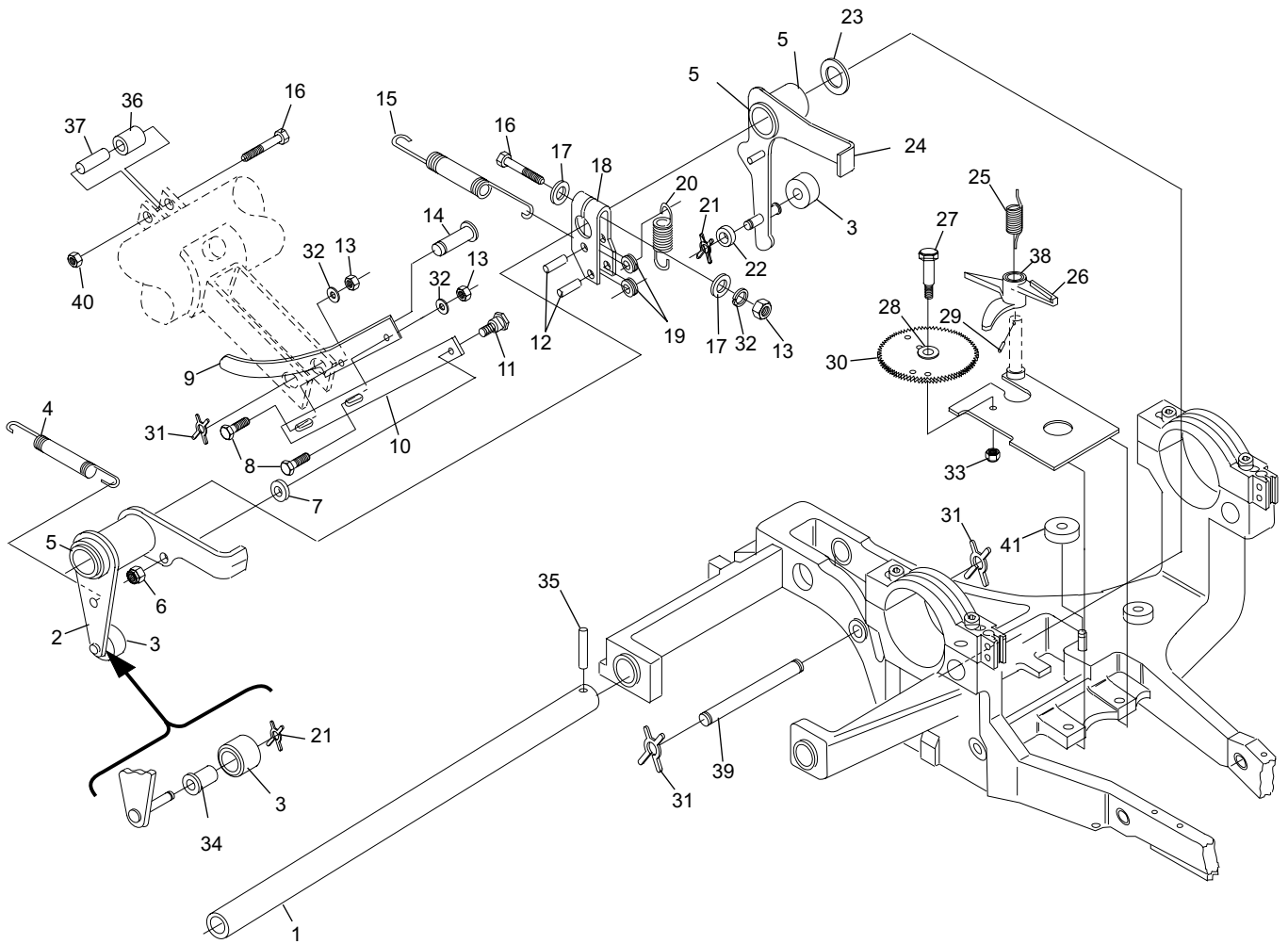
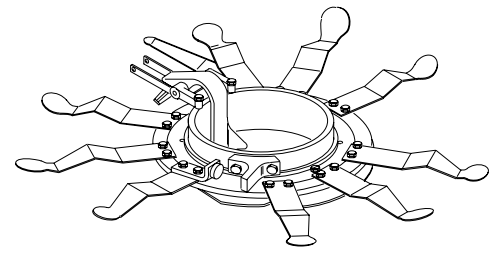


NOTE 1: Use 12-150158-014 (1-1/16" Pin) or 12-150158-016 (1-57/64" Pin) depending on bracket size

NOTE 2: Order 11-421037-000 Bearing and 11-23001-001 X-Washer, for machines so equipped, not shown.

NOTE 3: Bolt T153A & nut T154 can replace screw T153 and nut T152 in machines prior to serial #12801, provided that the mating hole in the latch assembl T151 is resized to 1/4".

Turret Assembly (New Style)



See Page
Above
for Index



Index

No.	Part No.	Description
1.	12-150228-000	Turret Frame Assembly
2.	12-150229-000	Cap
3.	11-005356-001	Hex Head Socket Cap Screw (3/8-16 x 3")
4.	11-005360-001	Hex Head Socket Cap Screw (3/8-16 x 4")
5.	11-005354-001	Hex Head Socket Cap Screw (3/8-16 x 2-1/2")
6.	12-150248-000	Bracket
7.	12-150261-000	Plate
8.	12-150242-000	Slide
9.	12-150260-000	Slide
10.	12-150214-000	Turret Release Lever Assembly, does not include cam follower
11.	11-480001-000	Cam Follow Needle Bearing
12.	12-150070-000	Tension Spring
13.	11-345408-001	Roll Pin (1/4 x 3/4")
14.	12-150290-000	Turret Index Pulley Assembly, See Note
15.	11-170008-001	Hex Nut Nylock (1/4-28)
16.	11-007182-001	Flat Head Socket Cap Screw (1/4-20 x 3/4")
17.	12-150250-000	Stop
18.	N.A.	Pin Retainer, applicable for all machines prior to S/N 29000
19.	11-195014-001	Lockwasher (1/4)
20.	11-006088-001	Button Head Socket Cap Screw (10-24 x 1/2")
21.	12-150183-000	Grease Fitting
22.	11-125104-001	Hex Nut (3/8-16)
23.	11-125101-001	Hex Nut (1/4-28)
24.	12-150130-002	Wheel
25.	11-190014-001	Flat Washer (3/8)
26.	11-421008-000	Flanged Oilite Bearing
27.	12-150281-000	Pivot Pin
28.	11-170107-001	Self-Locking Thin Nut (1/4-28)
29.	11-002006-001	Hex Head Cap Screw (1/4-20 x 1-1/2")
30.	12-150244-000	Stud
31.	11-195016-001	Lockwasher (3/8)
32.	11-421049-000	Bearing (.753 I.D. X .878 O.D.)
33.	11-421009-000	Bearing (.3765 I.D. X .502 O.D.)
34.	12-150255-000	Flanged Oilite Bearing
35.	11-190010-001	Flat Washer (1/4)
36.	12-200047-003	Spacer
37.	11-125102-001	Hex Nut (5/16-18)
38.	11-195015-001	Lockwasher (5/16)
39.	11-001270-001	Hex Head Cap Screw (5/16-18 x 1-3/4")
40.	11-125100-001	Hex Nut (1/4-20)
41.	22-195014-001	Lockwasher (1/4)
42.	11-230003-001	"X" Washer (3/16)
43.	11-195010-001	Lockwasher (#10)

N.A. = No Longer Available

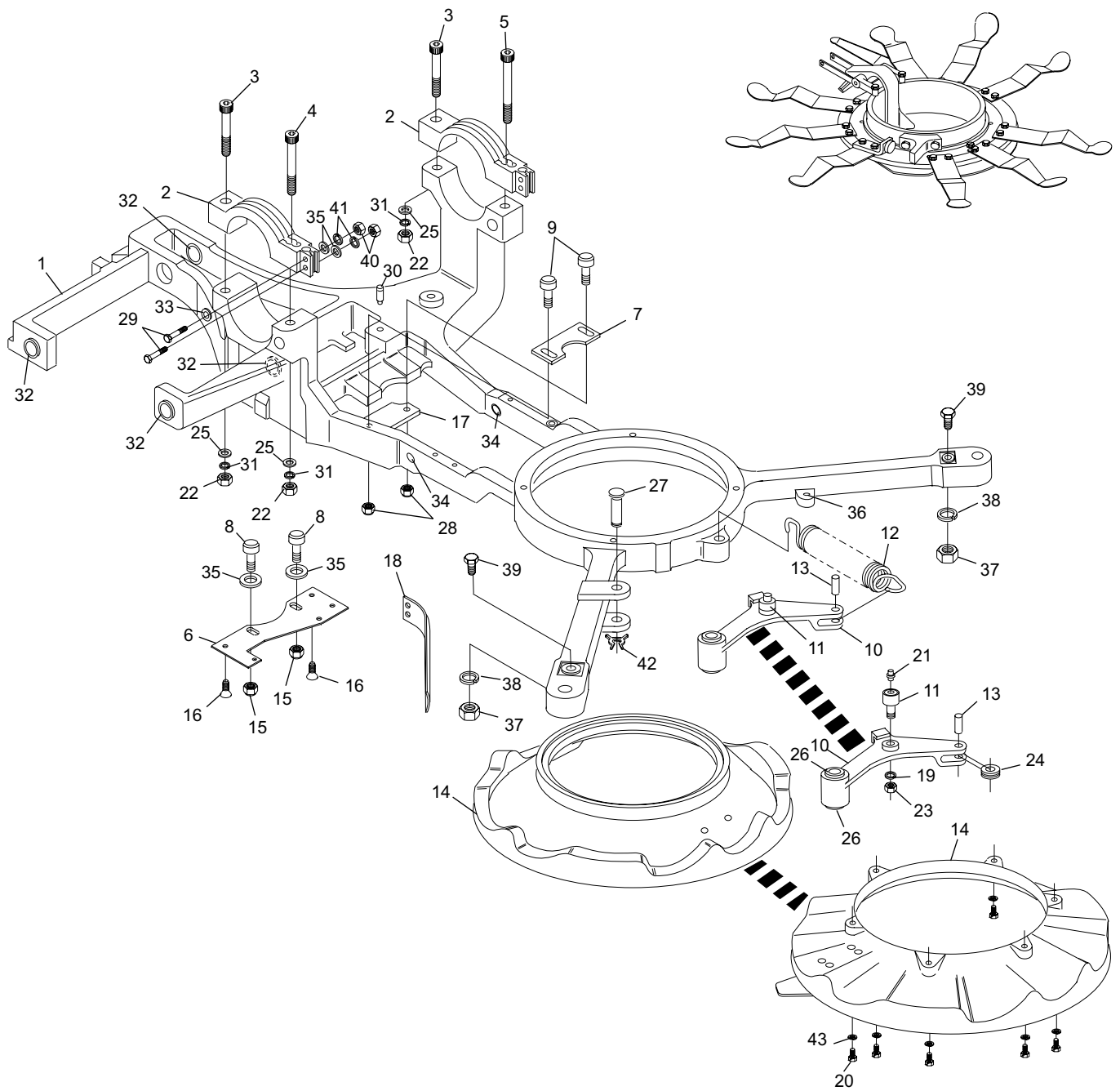
NOTE: When replacing cast pulley, order: 12-150290-000, 12-150289-000,

12-1502779-000 (2 each), 12-150206-000, 12-150307-000, and 12-150293-000 (2 each)

See Page
Down for
Drawing



Turret Index Pulley Assembly



See Page
Above
for Index



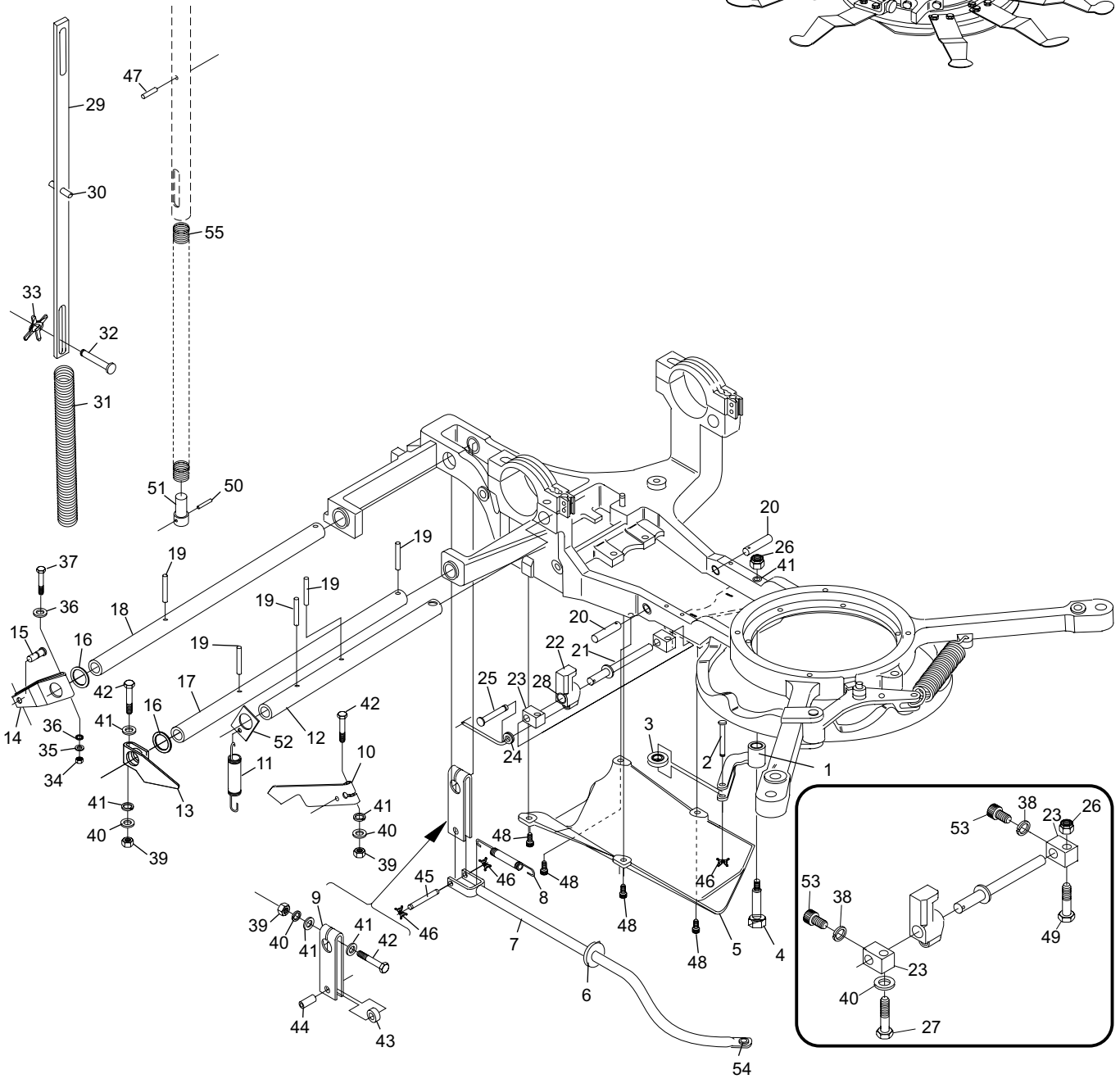
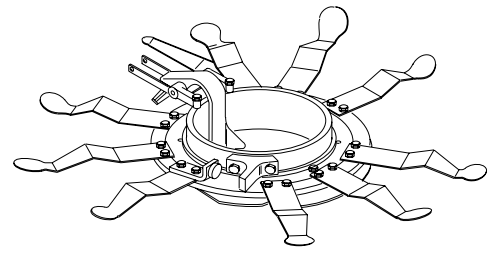
Turret Index Pulley Assembly

Index

No.	Part No.	Description
1.	12-150279-000	Lever Assembly
	11-420043-000	Sleeve Oilite Bearing
	11-421039-000	Bearing (.3135 I.D. X .440 O.D.)
2.	12-150158-006	X-Washer Pin
3.	12-150226-000	Roller & Bearing Assembly
4.	12-150247-000	Stud
5.	12-150187-000	Bottom Protector
6.	12-150142-003	Bumper
	12-150287-000	Interlock Link and Lever Assembly, not shown
7.	12-150234-000	Interlock Link Assembly
8.	12-150132-000	Tension Spring
9.	12-150147-000	Lever Assembly
10.	12-150111-000	Latch
11.	12-150090-000	Tension Spring
12.	12-150069-000	Roll Pin (3/16 x 5/8")
13.	12-150144-000	Lever
14.	12-150145-000	Lever
15.	12-150071-000	Pin
16.	12-150157-003	Washer
17.	12-150143-003	Interlock Shaft
18.	12-150143-002	Shaft
19.	11-360466-000	Spiral Pin (3/16 x 1-1/4")
20.	12-150236-000	Pin
21.	12-150259-000	Shaft
22.	12-150235-000	Turret Index Latch Assembly
23.	12-150293-000	Shaft Clamp
24.	12-150289-000	Link
25.	12-150158-007	X-Washer Pin (1 3/32 X .186)
26.	11-170008-001	Hex Nut Nylock (1/4-28)
27.	11-002006-001	Hex Head Cap Screw (1/4-20 x 1-1/2")
28.	12-150256-000	Bronze Bearing
29.	12-100904-000	Link Clutch Release Lever
30.	11-345310-001	Roll Pin (3/16 x 7/8")
31.	12-100167-000	Spring
32.	12-100166-007	X-Washer Pin
33.	11-230001-001	X-Washer (1/8)
34.	11-125102-001	Hex Nut (5/16-18)
35.	11-195015-001	Lockwasher (5/16)
36.	11-190012-001	Flat Washer - SAE (5/16)
37.	11-001270-001	Hex Head Cap Screw (5/16-18 x 1-3/4")
38.	11-196008-001	Hi-Collar Lockwasher (#10)
39.	11-125100-001	Hex Nut (1/4-20)
40.	11-195014-001	Lockwasher (1/4)
41.	11-190010-001	Flat Washer (1/4)
42.	11-001190-001	Hex Head Cap Screw (1/4-20 x 1-3/4")
43.	12-150125-000	Roller
44.	11-420000-000	Sleeve Oilite Bearing
45.	12-150023-007	X-Washer Pin
46.	11-230000-000	Roll Pin (3/16 x 1-3/4")
47.	11-345304-000	Roll Pin (3/16 x 1/2")
48.	11-005178-001	Hex Head Socket Cap Screw (1/4-20 x 1/2")
49.	11-002035-001	Hex Head Socket Cap Screw (1/4-28 x 1-1/4")
50.	11-345154-000	Roll Pin (1/8 x 1/2")
51.	12-150149-000	Plunger
52.	12-150088-000	Spring Hook
53.	11-005118-001	Hex Head Socket Cap Screw (10-32 x 1/2")
54.	11-421061-000	Flanged Oilite Bearing
55.	12-150127-000	Spring

See Page
Down for
Drawing

**Turret Assembly**



See Page
Above
for Index



Turret Assembly

Index No.	Part No.	Description
1	11-300001-001	Tubular Flat Head Rivet
2.	11-170108-000	Flexlock Hex Nut (5/16-18)
3.	N.A.	Washer
4.	N.A.	Shaft Assembly, splined
5.	N.A.	Top Hub & Disc Assembly
6.	N.A.	Bearing
7.	N.A.	Pulley
8.	N.A.	Bottom Hub & Disc Assembly (See Note 2)
9.	11-431006-000	Ball Bearing
10.	12-860804-000	Friction Disc Assembly
11.	12-150004-000	Guide
12.	11-345161-000	Roll Pin (1/8 x 15/16")
13.	12-150026-000	Spring
14.	N.A.	Washer
15.	12-150027-000	Compression Spring
16.	12-150239-000	Clutch Face Plug
17.	12-150010-000	Clutch Mount Assembly
18.	N.A.	Retaining Ring
19.	N.A.	Turret Drive Pulley-See Note 1
20.	11-345408-001	Roll Pin (1/4 x 3/4")
21.	12-150154-000	Flanged Oilite Bearing
22.	12-100162-000	Ball Valve
23.	11-125265-001	Hex Jam Nut (3/4-16)
24.	12-150220-000	Turret Clutch Drive Pulley
25.	12-150222-000	Compression Spring
26.	12-150217-000	Spacer
27.	11-431010-000	Ball Bearing
28.	12-150219-000	Pulley
29.	12-150216-000	Shaft only
30.	12-860805-000	Turret Clutch Facing Kit

N.A.= No Longer Available

NOTE 1: Complete Clutch Assembly 12-150198-000 is interchangeable on machines prior to S/N 1583 with the addition of the following parts:

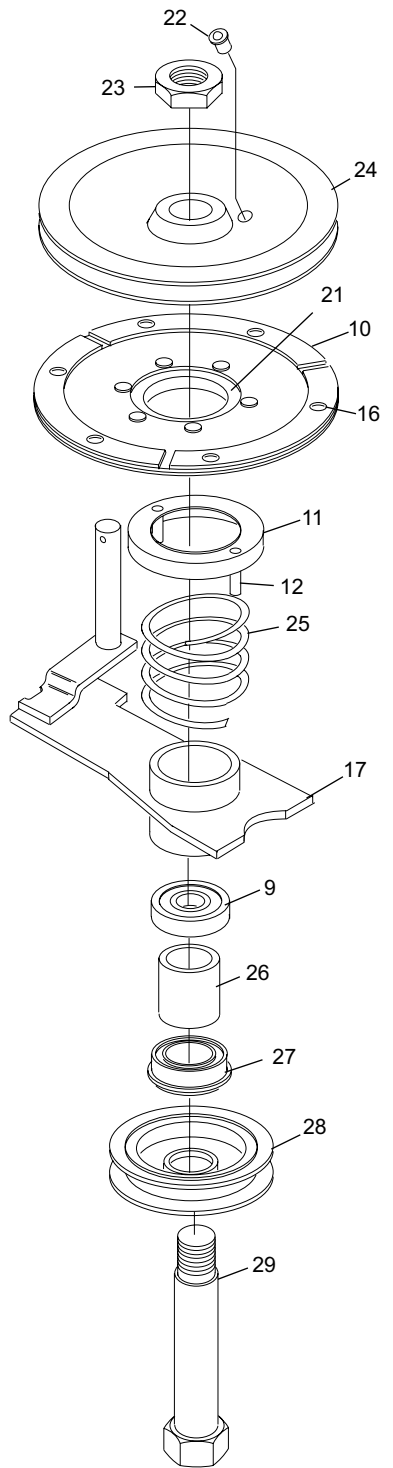
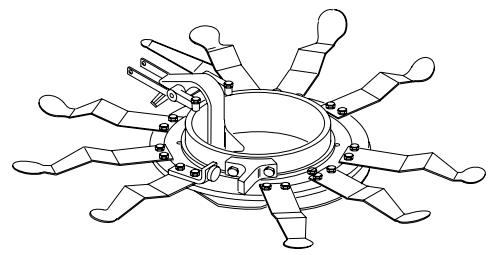
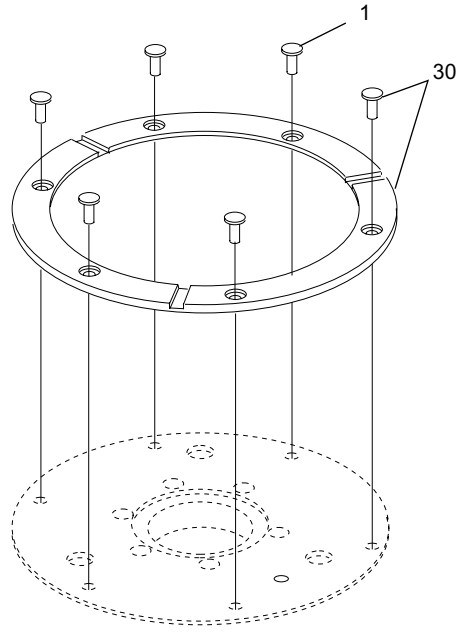
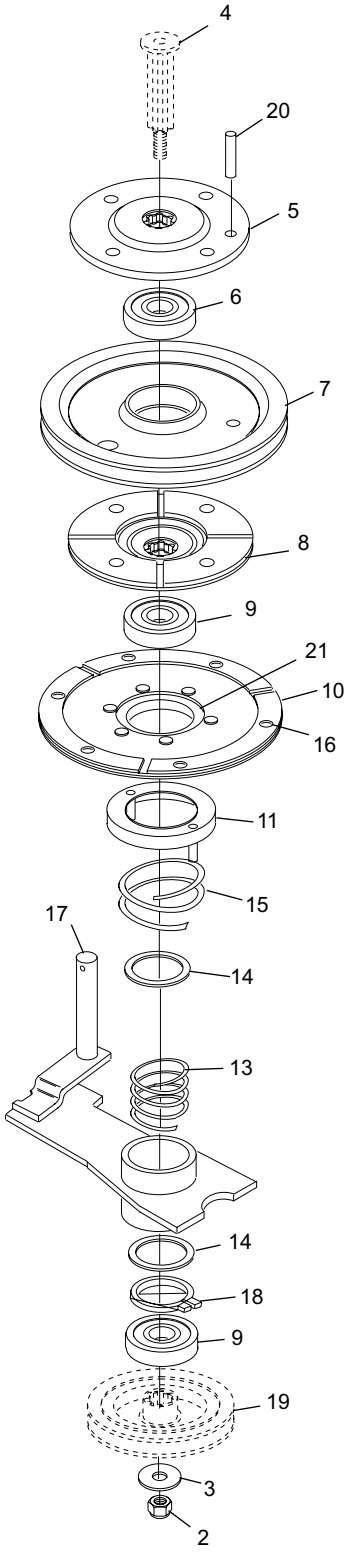
- 12-150234-000 Interlock Link Assembly*
- 12-150013-000 Turret Stop Lever Assembly*
- 11-007090-001 Flat Head Socket Cap Screw (10-24 x 5/8")*
- 11-198508-001 Countersunk Lockwasher (#10)*

NOTE 2: Use 12-150220-000 Pulley and 12-150216-000 Shaft.

**See Page
Down for
Drawing**



Turret Clutch and Pulley Assembly (Old Style)



See Page
Above
for Index

**Turret Clutch and Pulley Assembly
(Old Style)**

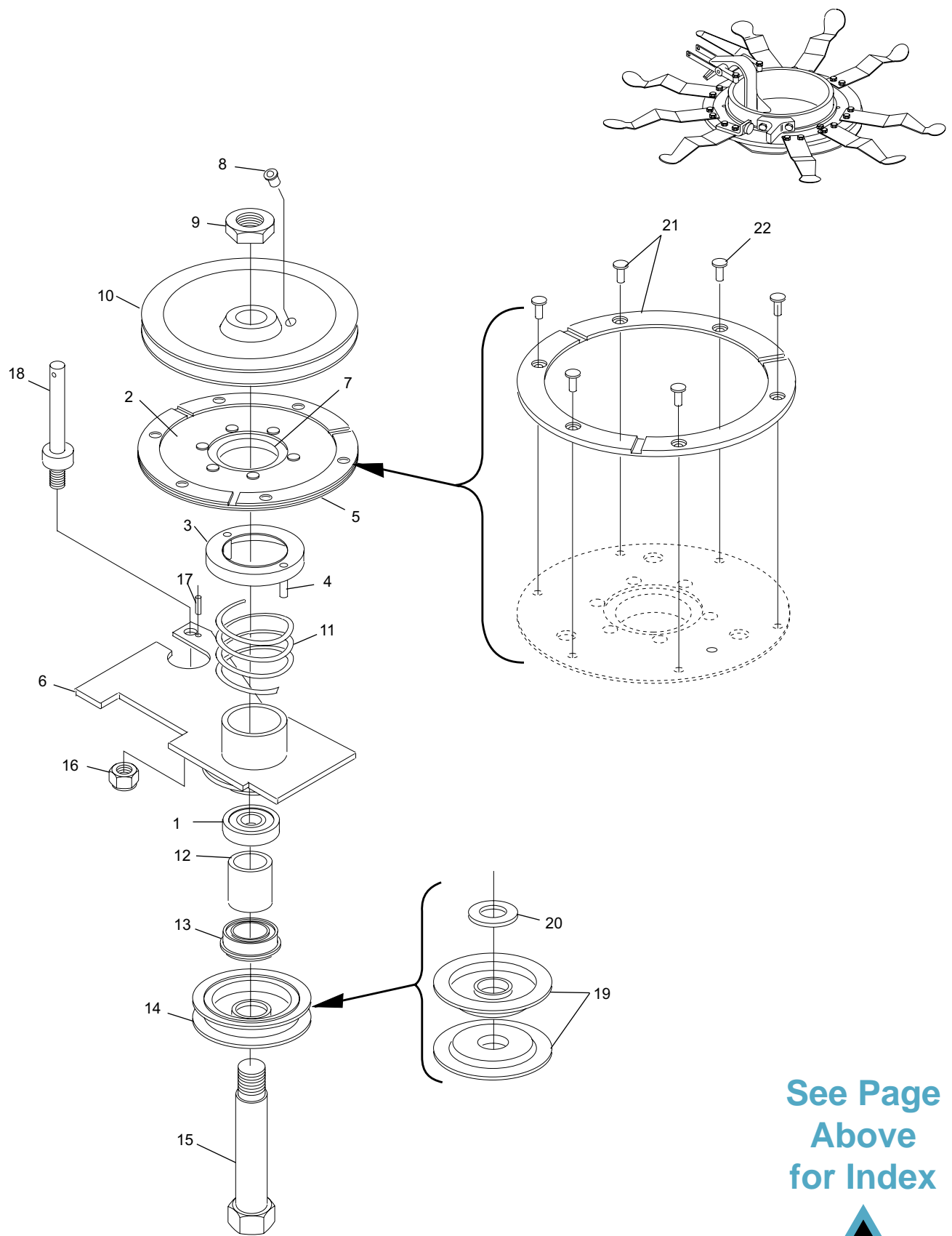
Index No.	Part No.	Description
1.	11-431006-000	Ball Bearing
2.	N.A.	Friction Disc Assembly
3.	N.A.	Spring Guide Assembly
4.	11-345161-000	Roll Pin (1/8 x 15/16)
5.	12-150239-000	Plug Clutch Face, for machines so equipped (3 req'd)
6.	12-150258-000	Sleeve & Plate Assembly
7.	12-150154-000	Flanged Oilite Bearing
8.	12-100162-000	Ball Valve
9.	11-125265-001	Hex Jam Nut - L.H. (3/4-16)
10.	12-150220-000	Pulley Turret Drive
11.	12-150222-000	Compression Spring
12.	12-150217-000	Spacer
13.	11-431010-000	Ball Bearing
14.	12-150219-000	Pulley
15.	12-150216-000	Turret Drive Clutch Shaft
16.	11-170109-001	Flexlock Hex Nut (5/16-24)
17.	11-345154-000	Roll Pin (1/8 x 1/2)
18.	12-150253-000	Post
19.	12-150306-000	Disc
20.	12-150307-000	Spacer
21.	N.A.	Clutch Face & Rivet Replacement Kit
22.	11-300001-001	Rivet

N.A. = No Longer Available

NOTE: Replace old cap with 12-150229-000 and 2 each 11-005359-000 cap screws.

**See Page
Down for
Drawing**





**Turret Clutch and Pulley Assembly
(New Style)**

See Page
Above
for Index



Index

No.	Part No.	Description
1.	11-230001-001	X-Washer (1/8)
2.	12-150023-008	X-Washer Pin
3.	11-420046-000	Sleeve Oilite Bearing
4.	12-150096-000	Tension Spring
5.	11-421026-000	Flanged Oilite Bearing
6.	12-150086-000	Turret Probe Assembly
7.	11-170006-001	Hex Nut Nylock (#10-32)
8.	12-860117-000	L.H. Bracket
	12-860118-000	R.H. Bracket (Steel Catwalk)
	12-860119-000	Center Chute Repair Kit
9.	12-150267-000	Spacer
10.	12-150268-000	Hex Head Socket Cap Screw (5/16 x 4-3/4")
11.	12-150108-000	Center Chute Assembly
12.	12-150304-003	Special Hex Head Socket Cap Screw
13.	11-195010-001	Lockwasher (#10)
14.	12-150109-000	Center Chute Repair Plate
15.	12-150079-000	Trip
16.	11-195014-001	Lockwasher (1/4)
17.	12-862874-000	Turret Ring Bearing Assembly
18.	11-480001-000	Cam Follow Needle Bearing
19.	11-421004-000	Flanged Oilite Bearing
20.	12-150158-015	X-Washer Pin
21.	11-006185-001	Button Head Socket Cap Screw (1/4-20 x 1-1/8")
22.	11-125101-001	Hex Nut (1/4-28)
23.	11-190014-001	Flat Washer (3/8)
24.	11-198007-001	External Tooth Lockwasher (3/8")
25.	11-001343-001	Hex Head Socket Cap Screw
26.	12-150066-000	Release Cam
27.	12-150264-000	Stop
28.	11-125100-001	Hex Nut (1/4-20)
29.	11-105160-001	Set Screw (1/4-20 x 1/4")
	11-345258-001	Roll Pin (5/32 x 3/4")
	N.A.	Cotter Pin, for S/N 3038 and below
30.	12-150265-000	Bumper - Turret Stop
	12-150325-000	Bumper - Turret Stop
31.	12-150284-000	Short Turret Spoon, See Note
32.	12-150266-000	Bracket
33.	12-150304-002	Special Hex Head Socket Cap Screw
34.	12-150283-000	Long Turret Spoon
35.	11-002004-001	Hex Head Cap Screw (1/4-20 x 1"), 2 required
36.	12-150299-000	Pin Release Shaft
37.	12-150237-000	Interlock Link
38.	12-150049-000	Pin Release Lever Assembly
39.	11-421045-000	Flanged Oilite Bearing
40.	12-150269-000	Bracket

N.A. = No Longer Available

NOTE: Also order the following (not shown):

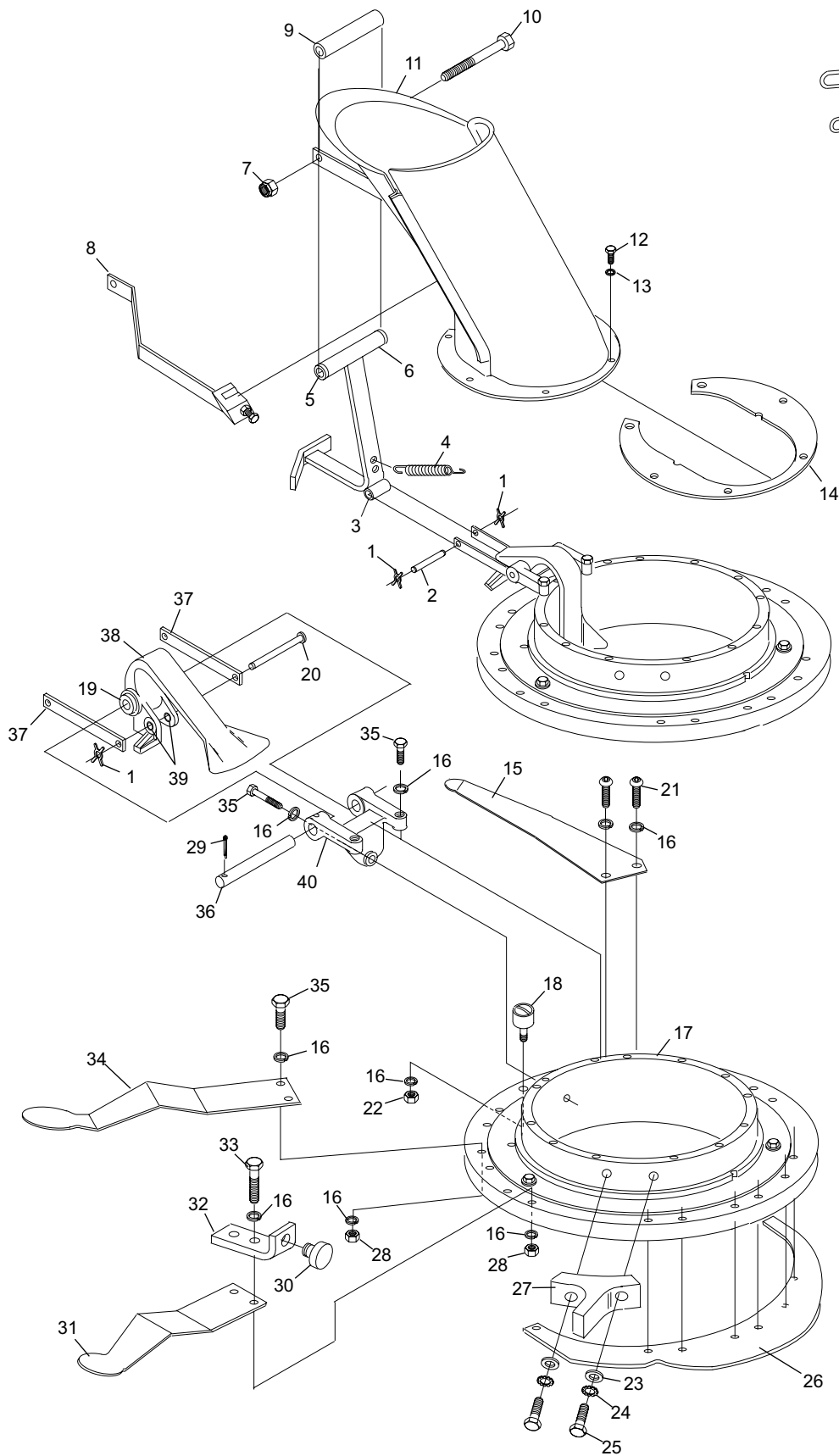
11-002004-001 Hex Head Socket Cap Screw, 2 required

11-195014-001 Lockwasher (1/4"), 2 required

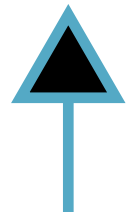
See Page
Down for
Drawing



Turret Ring and Index Assembly



See Page
Above
for Index

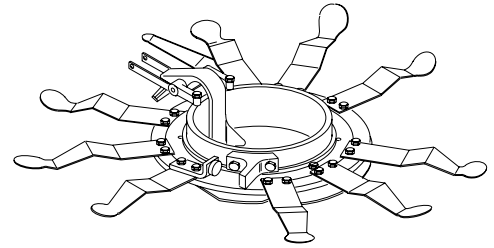
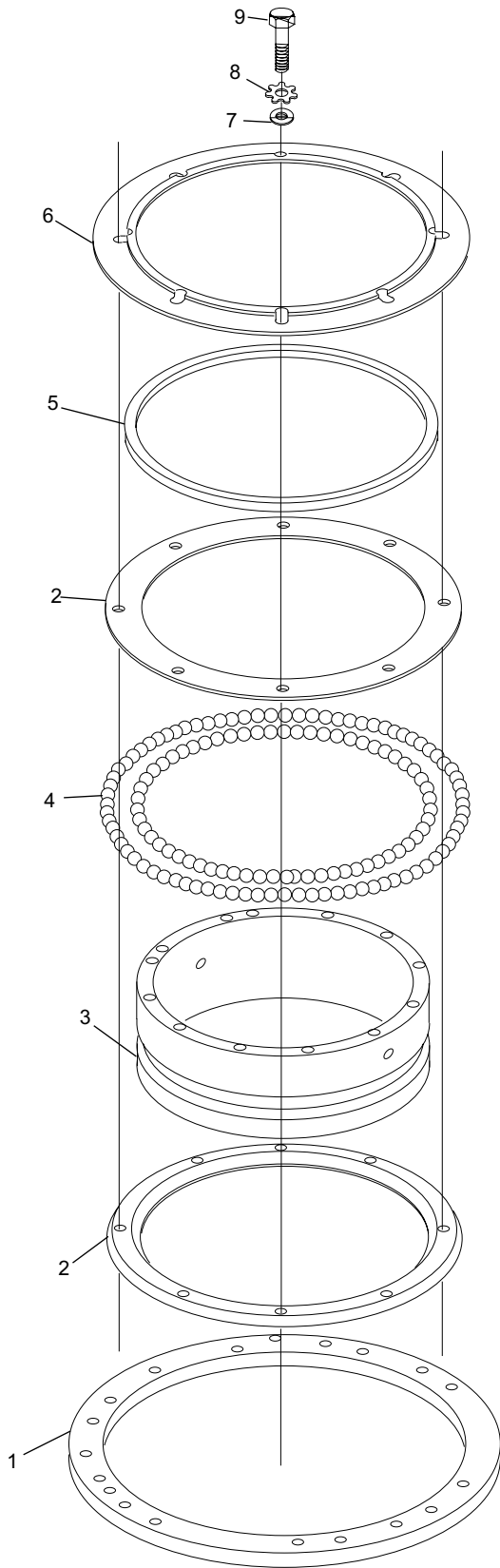


Turret Ring and Index Assembly

Index No.	Part No.	Description
1.	12-150039-000	Spider Ring
2.	12-860581-000	Bearing Ring Set
3.	12-150040-000	Turret Ring
4.	11-575093-000	Steel Ball (3/8")
5.	12-150115-000	Seal
6.	12-150116-000	Seal Retainer
7.	11-190010-001	Flat Washer (1/4)
8.	11-198005-001	External Tooth Lockwasher (1/4")
9.	11-002001-001	Hex Head Socket Cap Screw (1/4-20 x 5/8")
10.	12-862874-000	Turret Ring Bearing Assembly (not illustrated)

**See Page
Down for
Drawing**





See Page
Above
for Index



10
Turret Ring and
Bearing Assembly
Not Illustrated

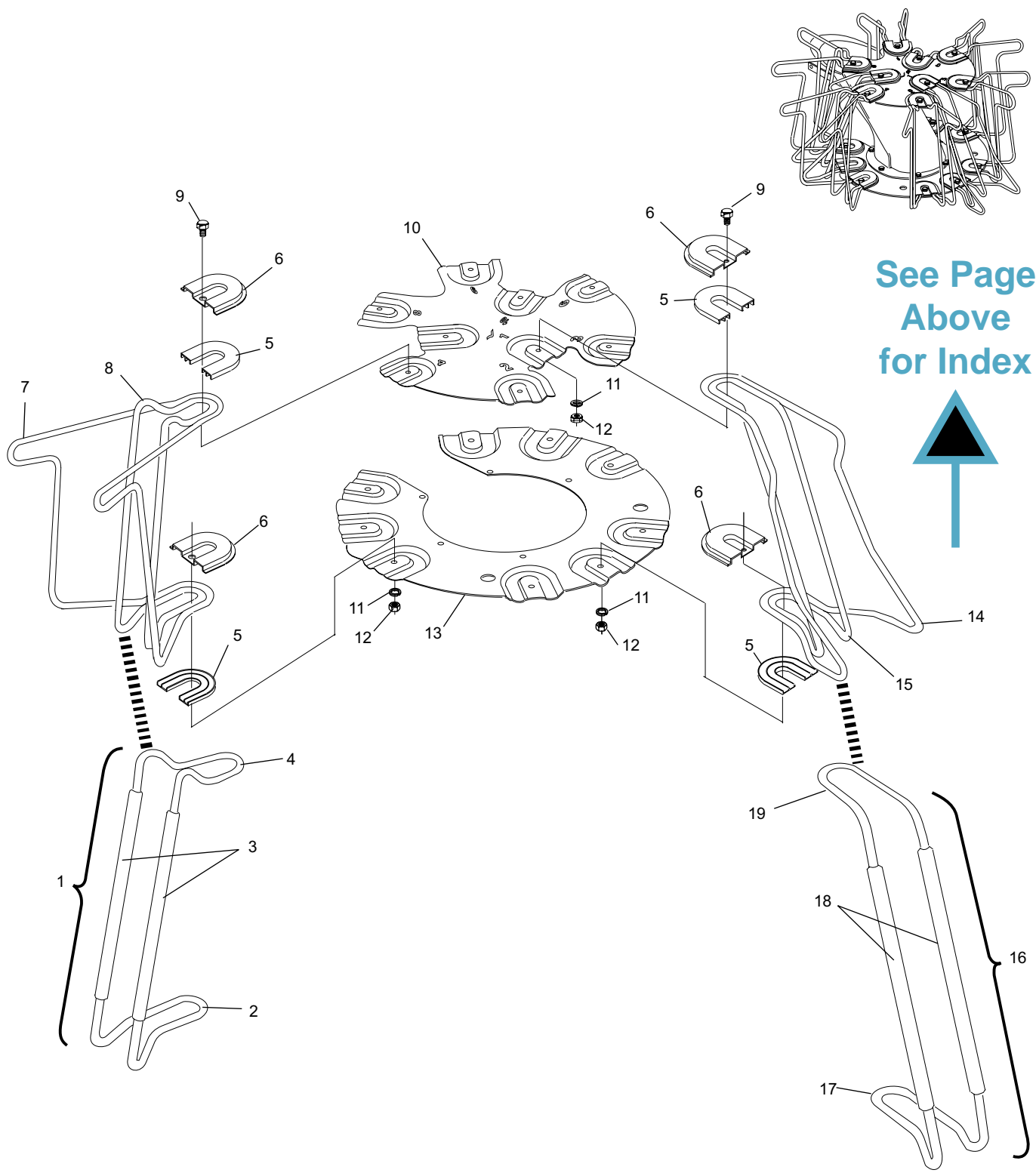
Turret Ring and Bearing Assembly

Index

No.	Part No.	Description
1.	12-862116-000	Turret Pin Guide
2.	12-150314-000	Bottom Wire Form
3.	12-150324-000	Rod (10")
4.	12-150313-000	Wire Form
5.	12-150182-000	Turret Pin Guide Cushion
	90-150182-000	Pin Guide Wire Pad
6.	12-150181-000	Pin Guide Clamp
7.	12-150297-000	Turret Pin Guide (Pins 2, 3, 4, 6, 8, & 9 Outside)
8.	12-150294-000	Guide Wire (Pins 2, 3, 4, 6, 8 & 9 Inside)
9.	11-001182-001	Hex Head Cap Screw (1/4-20 x 3/4")
10.	12-150107-000	Upper Clamp Plate
	12-860228-600	Advanced Performance Turret Clamp Plates Kit
11.	11-195014-001	Lockwasher (1/4)
12.	11-125100-001	Hex Nut (1/4-20)
13.	12-150106-000	Lower Clamp Plate
	12-860228-600	Advanced Performance Turret Clamp Plates Kit
14.	12-150296-000	Turret Pin Guide (Pins 1, 7, & 10 Outside)
15.	12-150295-000	Guide Wire (Pins 1, 7 & 10 Inside)
16.	12-862113-000	Turret Pin Guide Wire
17.	12-150311-000	Bottom Wire Form
18.	12-150309-000	Rod
19.	12-150310-000	Top Wire Form

See Page
Down for
Drawing





See Page
Above
for Index



Turret Pin Guide



Service Parts Catalog

A/A-2
Automatic Pinsetter

September 2006 / 12-902908-000

Brunswick[®] 
CUSTOMER SERVICE
A tradition in excellence.

A/A-2 Automatic Pinsetter Service Parts Catalog

© September 2006 by the Brunswick Bowling and Billiards Corporation. All rights reserved.
A-2, is a registered trademark of the Brunswick Bowling and Billiards Corporation.